

Control Panel

Manual-Ver2.1

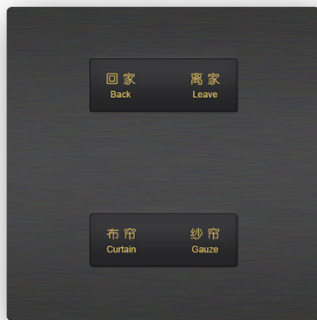
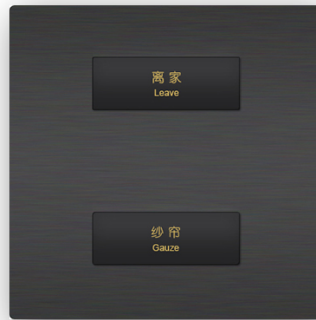
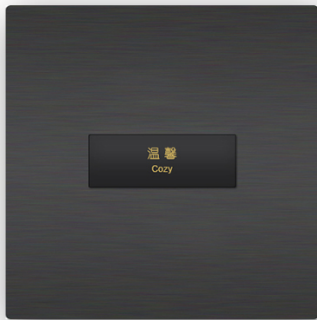
MK1201

MK1202

MK1203

MK1204

MK1206



Content

1	Overview	1
2	Product and Function Overview	1
	2.1 Product description	1
	2.2 Function description	1
3	Detailed parameters.....	1
4	Dimensional drawing and wiring diagrams.....	2
5	Product operation and installation instructions	2
	5.1 Product operation instructions	5
	5.2 Product installation instructions	5
6	Parameter setting and communication object description	5
	6.1 Parameter setting instructions	5
	6.1.1 Select "switch"	7
	6.1.2 Select "blind"	9
	6.1.3 Select "blind position"	8
	6.1.4 Select "Dimming"	9
	6.1.5 Select "dimming position"	9
	6.1.6 Select "Scene"	10
	6.1.7 Select "Value Send"	12
	6.1.8 "Status LED"	13
	6.1.9 "Backlight"	错误!未定义书签。
	6.1.10 "Other function"	错误!未定义书签。
	6.1.11 "For knx bus"	错误!未定义书签。
	6.2 Communication object description	15
	6.2.1 "switch" mode.....	15
	6.2.2 "blind" mode	15
	6.2.3 "blind position" mode.....	16
	6.2.4 "dimming" mode.....	16
	6.2.5 "dimming position" mode	17
	6.2.6 "scene" mode	18
	6.2.7 Value send function	19
	6.2.8 Feedback object function	19
	6.2.9 Status light brightness function	19
	6.2.10 Backlight brightness function.....	19
	6.2.11 Device lock function	20
7	Safe use and maintenance.....	21
8	Contact	21

1 Overview

This manual provides you with detailed technical information on the Smart Control Panel, including installation and programming details, and explains how to use the Smart Control Panel based on practical examples. The intelligent control panel is installed in the standard 86 bottom box, which is easy to install and disassemble;

The smart control panel can be used to control switches, dimming, scenes, shades and more.

Installed together with other loads via EIB/ KNX bus to become a system.

The entire system is set up and operated using the engineering design tool software ETS.

2 Product and Function Overview

2.1 Product description

The intelligent control panel is mainly used in the building control system. It is installed together with other devices on the bus to form a system. The operation is simple and intuitive. Users can plan and execute these functions systematically according to their needs.

The smart control panel can be used to control switches, dimming, blinds, etc. Each channel on the panel includes a button and an LED indicator.

The intelligent control panel is a standard 86 bottom box installation device with 1-6 key outputs. Connect to the EIB / KNX system through the EIB bus, and use the engineering design tool software ETS software (version ETS4 or above) to assign physical addresses and group addresses and set parameters.

The intelligent control panel is directly connected to the bus through KNX terminal blocks, without additional auxiliary power supply. Each channel of the panel can use the various functions described above, independently of each other.

2.2 Function description

(1) It can be used to switch lighting, open and close curtains, raise and lower projection screens, etc., with long press, short press and reverse functions;

(2) It can control the dimming equipment, and has the function output of relative dimming and absolute dimming;

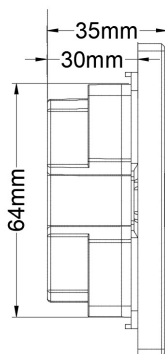
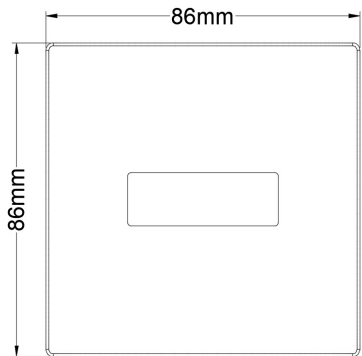
(3) 8bit scene control can be carried out, and the set scene function can be called;

(4) With font brightness adjustment function, different brightness can be selected according to different occasions;

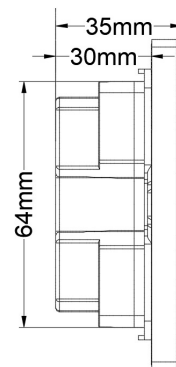
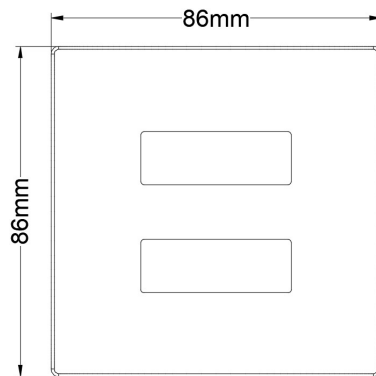
3 Detailed parameters

Bus voltage	21-30 VDC, power from KNX bus
Bus current	≤12mA
Bus power	< 360mW
Shell material	Metal +ABS+PC
Dimension (H x W x D)	86 X 86 X 35 mm
Weight (approx.)	Approx. 0.1kg
Installation method	86 bottom box
Operating temperature	-5°C- 45°C
Storage temperature	- 25°C- 55°C
Transport temperature	- 25°C- 70°C
Relative humidity	max 90%

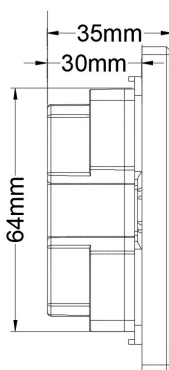
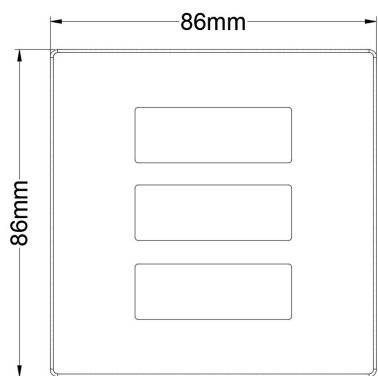
4 Dimensional drawing and wiring diagrams



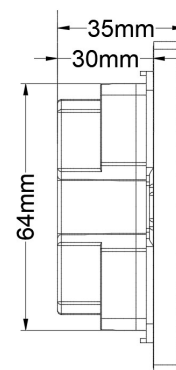
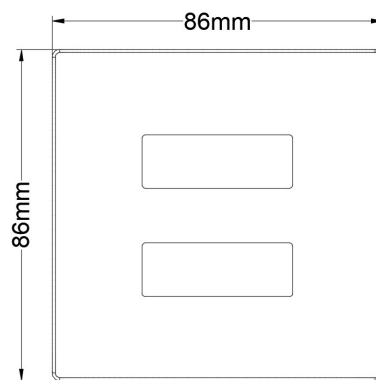
MK1201 dimensional drawing



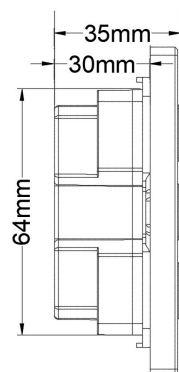
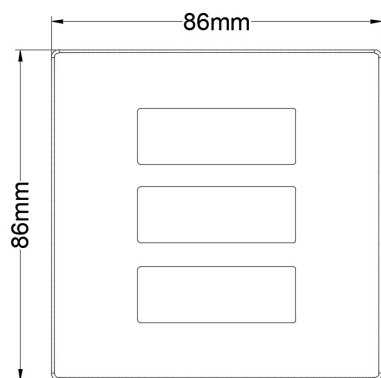
MK1202 dimensional drawing



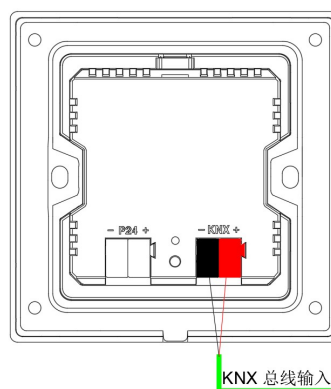
MK1203 dimensional drawing



MK1204 dimensional drawing



MK1206 dimensional drawing

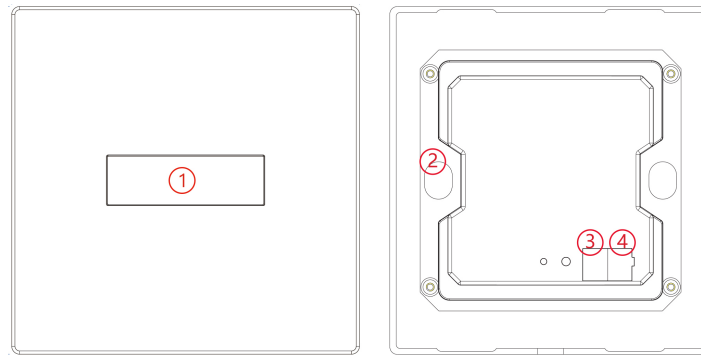


wiring diagram

5 Product operation and installation instructions

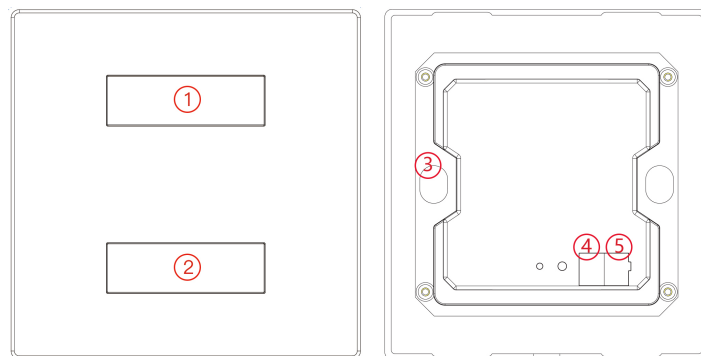
5.1 Product operation instructions

MK1201 Operating Instructions



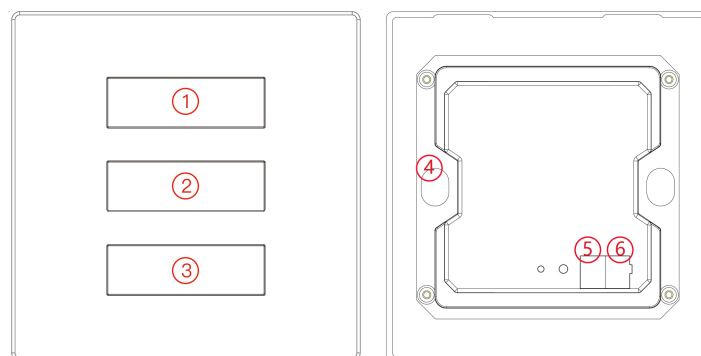
- ①Description: It also involves the channel CD; the button needs to be engraved before it can transmit light;
- ②Description: 86 boxes of fixed brackets;
- ③Description: programming indicator light and programming button, press the button, the indicator light is on, and enters the programming state. When programming, the indicator light is automatically off;
- ④Description: KNX bus terminal.

MK1202 Operating Instructions



- ①Note: Channel AB is involved at the same time;
- ②Explanation: Channel EF is involved at the same time; each button needs to be engraved before it can transmit light;
- ③Description: 86 boxes of fixed brackets;
- ④Instructions: programming indicator light and programming button, press the button, the indicator light is on, and enters the programming state. When programming, the indicator light is automatically off;
- ⑤Description: KNX bus terminal.

MK1203 Operating Instructions



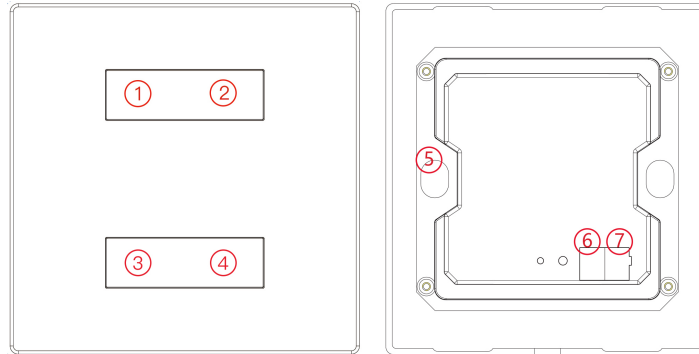
- ①Note: Channel AB is involved at the same time;
- ②Explanation: Channel CD is involved at the same time;
- ③Explanation: Channel EF is involved at the same time; each button needs to be engraved before it can transmit light;

④Description: 86 boxes of fixed brackets;

⑤Description: Programming indicator light and programming button, press the button, the indicator light is on, and enters the programming state. When programming, the indicator light is automatically off.

⑥Description: KNX bus terminal.

MK1204 Operating Instructions



①Description: Channel A;

②Description: Channel B;

③Description: Channel E;

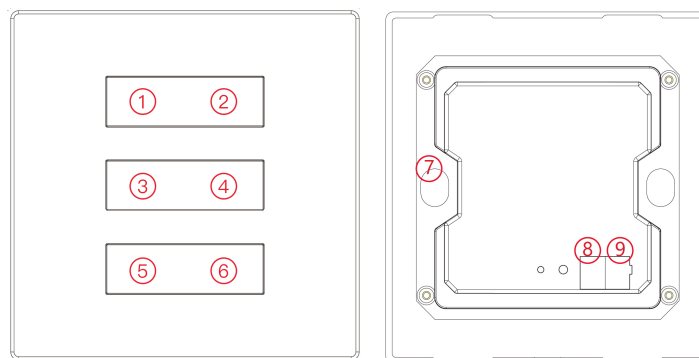
④Description: channel F; each button needs to be engraved before it can transmit light;

⑤Description: 86 boxes of fixed brackets;

⑥Description: Programming indicator light and programming button, press the button, the indicator light is on, and enters the programming state. When programming, the indicator light is automatically off; each button needs to be engraved to transmit light;

⑦Description: KNX bus terminal.

MK1206 Operating Instructions



①Description: Channel A;

②Description: Channel B;

③Description: Channel C;

④Description: Channel D;

⑤Description: Channel E;

⑥Description: channel F; each button needs to be engraved before it can transmit light;

⑦Description: 86 boxes of fixed brackets

⑧Description: Programming indicator light and programming button, press the button, the indicator light is on, and

enters the programming state. When programming, the indicator light is automatically off.

⑨Description: KNX bus terminal;

5.2 Product installation instructions

(1) Remove the fixing bracket embedded in the panel back cover and install it on the standard 86 bottom box, and tighten the fixing screws;

(2) Just snap the smart control panel into the fixed bracket.

6 Parameter setting and communication object description

6.1 Parameter setting instructions

The following takes ETS5 as an example to set parameters in ETS5. Note: In the following introduction, Channel X or X represents the output of the corresponding channel. (Here we take the 6-key intelligent control panel as an example)

1) Parameter: "configuration (as the same time)" indicates the configuration when multiple keys are pressed at the same time, optional options: only one channel can work (only one key can work) can be used); all channel can work (multiple keys can be used at the same time). (this parameter has no effect)

2) Open the control panel parameter setting interface in ETS5, as shown in Figure 6.1.1.

Available options: Disabled, Enabled

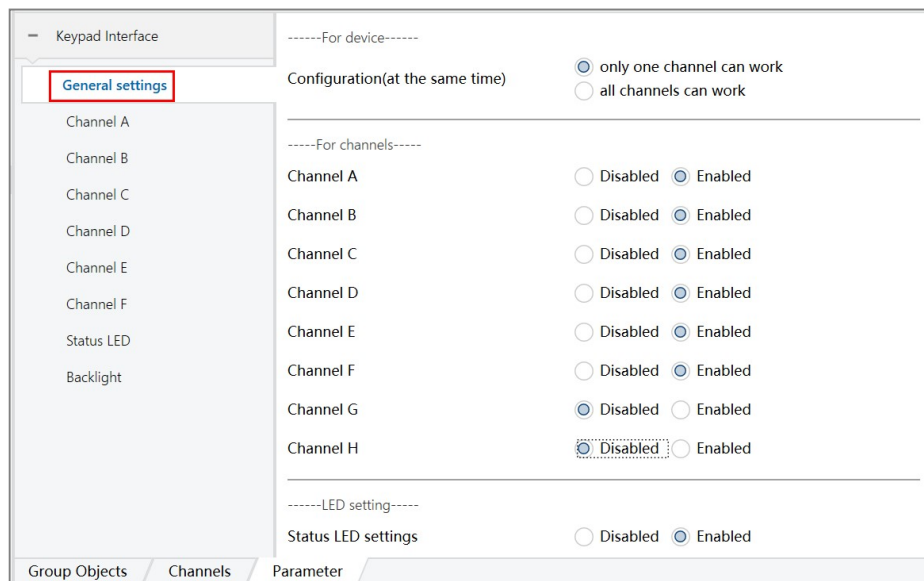


Figure 6.1.1

3) Select "Enable" for Channel X, the interface is shown in Figure 6.1.2, and 6 channel options in the red block as shown in figure.

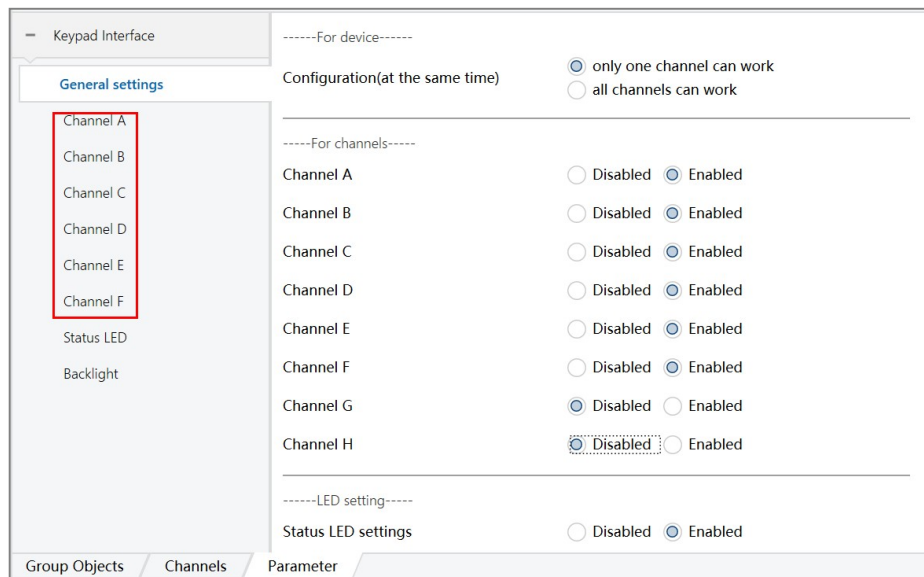


Figure 6.1.2

4) Click the options in the red block above to set the parameters of each channel, as shown in figure 6.1.3

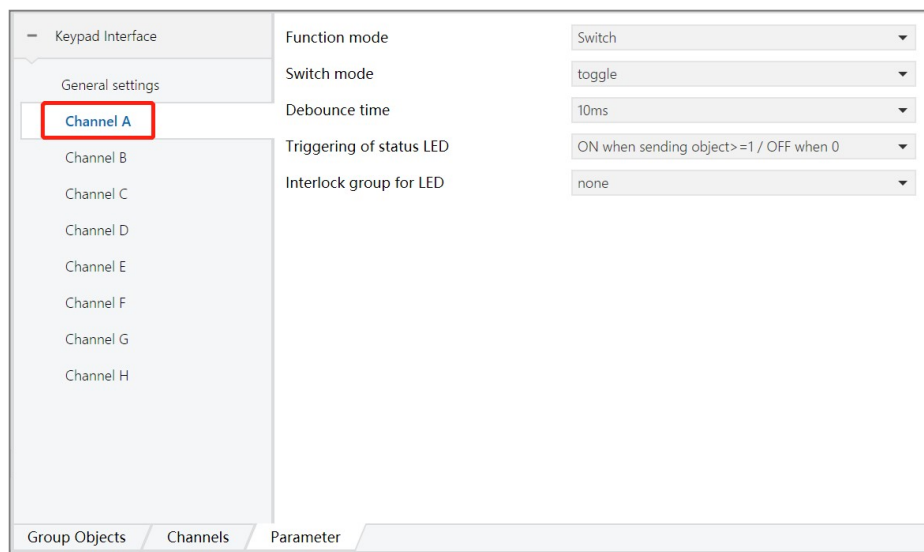


Figure 6.1.3

Function mode, Optional:

Switch: switch, used to control the on/off status of the switch actuator to the lamp;

Blind: curtains, used to control the opening/closing status of blinds, curtains, etc. by curtain actuators;

Blind position: Curtain position, used to control the absolute opening/closing position of the curtain actuator for blinds, curtains, etc.;

Dimming: Dimming, used to control the adjustment of the brightness value of the dimming actuator;

Dimming position: Dimming position, used to control the adjustment of the absolute value of brightness by the dimming actuator;

Scene: Scene, used to call the scene in the switch, dimming, and curtain actuator.

Value Send: value output, used to output a value with a size of 1bit/1byte, which can be used flexibly.

6.1.1 Select "switch"

Parameter	Description
Switch mode	Switch mode, options: always on, always off, toggle (On / off reverse switching), user define
Debounce time	Debounce time, options: 10ms, 20ms.....100ms
Triggering of status LED	LED indicator activation mode, options: (1) always on; (1) always off; (2) always flashes; (3) press =ON/release=OFF; (4) press =OFF/release=ON; (5) press =flashes/release=OFF; (6) press =flashes/release=ON; (7) Flashes three times, then OFF; (8) Flashes three times, then ON; (9) ON when sending object>=1; OFF when 0 (10) OFF when sending object>=1; ON when 0; (11) flashes when sending object>=1; OFF when 0; (12) OFF when sending object>=1; flashes when 0; (13) ON when feedback object=1; OFF when 0; (14) OFF when feedback object=1; ON when 0; (15) flashes when feedback object=1; OFF when 0; (16) OFF when feedback object=1; flashes when 0; (17) ON when scene object=number/OFF when no equal (When the scene number of the data on the bus is the same as the scene number set on the channel, the indicator is on, and the indicator is off when it is not waiting) ;
Interlock group for LED	Interlock group for LED, options: none, group 1, group 2, group 3, group 4

6.1.2 Select “blind”

Parameter	Description
Blind mode	Blind mode, options: always up, always down, toggle (Rise / fall reverse switch) .
Long operation	Long operation, options: yes, no; When yes is selected, parameter “long operation after: “ will appear, data can be sent after a long press, options: 0.5s, 1s, 2s.....7s. Parameter “the interval of data (base: 0.1s) ” represents the time interval between continuous data sending when long press; can be filled in 0~255;
The interval of data(base:0.1s)	The interval time of data (unit: 0.1s) , can be filled in: 0-255
Debounce time	Debounce time, options: 10ms, 20ms.....100ms
Triggering of status LED	LED indicator activation mode, options: (1) always on; (2) always off; (3) always flashes; (4) press =ON/release=OFF; (5) press =OFF/release=ON; (6) press =flashes/release=OFF; (7) press =flashes/release=ON;

	<p>(8) Flashes three times, then OFF; (9) Flashes three times, then ON; (10) ON when sending object>=1; OFF when 0; (11) OFF when sending object>=1; ON when 0; (12) flashes when sending object>=1; OFF when 0; (13) OFF when sending object>=1; flashes when 0; (14) ON when feedback object=1; OFF when 0; (15) OFF when feedback object=1; ON when 0; (16) flashes when feedback object=1; OFF when 0; (17) OFF when feedback object=1; flashes when 0; (18) ON when scene object=number/OFF when no equal (When the scene number of the data on the bus is the same as the scene number set on the channel, the indicator is on, and the indicator is off when it is not waiting) .</p>
Interlock group for LED	Interlock group for LED, options: none, group 1, group 2, group 3, group 4

6.1.3 Select “blind position”

Parameter	Description
Blind position mode	<p>Curtain absolute position mode, options: position value, position toggle, user define; When position value is selected, the parameter "send value 1" appears, which can be filled in 0-255; When "position toggle" is selected, the parameters "send value 1" and "send value 2" will appear, and you can fill in 0-255; When "user define" is selected, the parameters "operate when pressing" and "operate when releasing" will appear, options: Yes, No, when "Yes" is selected, the parameters will appear: "send value", which can be filled in 0-255;</p>
Debounce time	Debounce time, options: 10ms, 20ms.....100ms
Triggering of status LED	<p>LED indicator activation mode, options:</p> <p>(1) always on; (2) always off; (3) always flashes; (4) press =ON/release=OFF; (5) press =OFF/release=ON; (6) press =flashes/release=OFF; (7) press =flashes/release=ON; (8) Flashes three times, then OFF; (9) Flashes three times, then ON; (10) ON when sending object>=1; OFF when 0; (11) OFF when sending object>=1; ON when 0; (12) flashes when sending object>=1; OFF when 0; (13) OFF when sending object>=1; flashes when 0; (14) ON when feedback object=1; OFF when 0; (15) OFF when feedback object=1; ON when 0; (16) flashes when feedback object=1; OFF when 0; (17) OFF when feedback object=1; flashes when 0; (18) ON when scene object=number/OFF when no equal (When the scene number of the</p>

	data on the bus is the same as the scene number set on the channel, the indicator is on, and the indicator is off when it is not waiting) .
Interlock group for LED	Interlock group for LED, options: none, group 1, group 2, group 3, group 4

6.1.4 Select “Dimming”

Parameter	Description
Dimming mode	Dimming mode, options: dimming up, dimming down, dimming toggle (Inverted switching of brightness increase / decrease) .
Long operation after:	Send data after long press, options: 0.5s, 1s, 2s.....7s.
Transmission mode for long operation	Transmission mode for long operation, options: cyclic transmission, one-time transmission; when “cyclic transmission” is selected, parameter “the interval of data (base: 0.1s) ” will appear, represents the time interval between continuous data sending when long press; can be filled in 0~255.
Step dimming	Dimming level output percentage, options: 1%, 3%, 6%, 12%, 25%, 50%,100%
Debounce time	Debounce time, options: 10ms, 20ms.....300ms
Triggering of status LED	LED indicator activation mode, options: (1) always on; (2) always off; (3) always flashes; (4) press =ON/release=OFF; (5) press =OFF/release=ON; (6) press =flashes/release=OFF; (7) press =flashes/release=ON; (8) Flashes three times, then OFF; (9) Flashes three times, then ON; (10) ON when sending object>=1; OFF when 0; (11) OFF when sending object>=1; ON when 0; (12) flashes when sending object>=1; OFF when 0; (13) OFF when sending object>=1; flashes when 0; (14) ON when feedback object=1; OFF when 0; (15) OFF when feedback object=1; ON when 0; (16) flashes when feedback object=1; OFF when 0; (17) OFF when feedback object=1; flashes when 0; (18) ON when scene object=number/OFF when no equal (When the scene number of the data on the bus is the same as the scene number set on the channel, the indicator is on, and the indicator is off when it is not waiting) .
Interlock group for LED	Interlock group for LED, options: none, group 1, group 2, group 3, group 4.

6.1.5 Select “dimming position”

Parameter	Description
Dimming position	Absolute dimming mode, options: position value 1, position toggle, user define;

mode	<p>When position value 1 is selected, parameter "send value 1" (output value 1) will appear, options: 0%, 1%, 2%.....100%;</p> <p>When "position toggle" is selected, parameter "send value 1" (output value 1) , "send value 2" (output value 2) will appear, options: 0%, 1%, 2%.....100%;</p> <p>When "user define" is selected, parameter "operate when pressing" , "operate when releasing" will appear, options: yes, no, when "yes" is selected, parameter: "send value" (output value) will appear, can be filled in 0-255;</p>
Debounce time	Debounce time, options: 10ms, 20ms.....100ms
Triggering of status LED	<p>LED indicator activation mode, options:</p> <ol style="list-style-type: none"> (1) always on; (2) always off; (3) always flashes; (4) press =ON/release=OFF; (5) press =OFF/release=ON; (6) press =flashes/release=OFF; (7) press =flashes/release=ON; (8) Flashes three times, then OFF; (9) Flashes three times, then ON; (10) ON when sending object>=1; OFF when 0; (11) OFF when sending object>=1; ON when 0; (12) flashes when sending object>=1; OFF when 0; (13) OFF when sending object>=1; flashes when 0; (14) ON when feedback object=1; OFF when 0; (15) OFF when feedback object=1; ON when 0; (16) flashes when feedback object=1; OFF when 0; (17) OFF when feedback object=1; flashes when 0; (18) ON when scene object=number/OFF when no equal (When the scene number of the data on the bus is the same as the scene number set on the channel, the indicator is on, and the indicator is off when it is not waiting) .
Interlock group for LED	Interlock group for LED, options: none, group 1, group 2, group 3, group 4

6.1.6 Select "Scene"

Parameter	Description
Scene mode	<p>Scene mode, options: scene number, scene toggle, user define.</p> <p>When scene number 1 is selected, parameter "scene value 1" will appear, can be filled in: 1~64;</p> <p>When "scene toggle" is selected, parameter "scene value 1" , "scene value 2" will appear, can be filled in: 1~64;</p> <p>When "user define" is selected, parameter "operate when pressing" , "operate when releasing" will appear, options: yes, no, when "yes" is selected, parameter "send value" (output value) will appear, can be filled in: 1~64;</p>
Debounce time	Debounce time, options: 10ms, 20ms.....100ms
Triggering of status	LED indicator activation mode, options:

LED	<p>(1) always on; (2) always off; (3) always flashes; (4) press =ON/release=OFF; (5) press =OFF/release=ON; (6) press =flashes/release=OFF; (7) press =flashes/release=ON; (8) Flashes three times, then OFF; (9) Flashes three times, then ON; (10) ON when sending object>=1; OFF when 0; (11) OFF when sending object>=1; ON when 0; (12) flashes when sending object>=1; OFF when 0; (13) OFF when sending object>=1; flashes when 0; (14) ON when feedback object=1; OFF when 0; (15) OFF when feedback object=1; ON when 0; (16) flashes when feedback object=1; OFF when 0; (17) OFF when feedback object=1; flashes when 0; (18) ON when scene object=number/OFF when no equal (When the scene number of the data on the bus is the same as the scene number set on the channel, the indicator is on, and the indicator is off when it is not waiting) .</p>
Interlock group for LED	Interlock group for LED, options: none, group 1, group 2, group 3, group 4

6.1.7 "Value Send "

Parameter	Description
Value send	Value send;
Data type for value	Value data type, options: 1bit, 1byte; ①When "1bit" is selected, the parameter "Value for sending", the options are: Off, On; ②When "1byte" is selected, the parameter "Value for sending", The options are: 0~255;
Long operation	Long press operation, options are: No, Yes, when "Yes" is selected, ① parameter "Long operation after" is how long to start sending commands after long press, options: 0.5s, 1s...4S; ②Parameter "Data type for long operation" is the type of data sent during long press operation, options: 1bit, 1byte; when "1bit" is selected, the parameter "Value for sending" is value sending, options are: Off, On; When "1byte" is selected, the parameter "Value for sending" is value sending, and the options are: 0~255;
Debounce time	Decounce time, option: 10ms、 20ms.....300ms
Triggering of status LED	LED indicator activation mode, options: (1) always on; (2) always off; (3) always flashes; (4) press =ON/release=OFF; (5) press =OFF/release=ON; (6) press =flashes/release=OFF; (7) press =flashes/release=ON;

	<p>(8) Flashes three times, then OFF; (9) Flashes three times, then ON; (10) ON when sending object>=1; OFF when 0; (11) OFF when sending object>=1; ON when 0; (12) flashes when sending object>=1; OFF when 0; (13) OFF when sending object>=1; flashes when 0; (14) ON when feedback object=1; OFF when 0; (15) OFF when feedback object=1; ON when 0; (16) flashes when feedback object=1; OFF when 0; (17) OFF when feedback object=1; flashes when 0; (18) ON when scene object=number/OFF when no equal;</p>
Interlock group for LED	Lamp interlock function. Available options: none, group 1, group 2, group 3, group 4

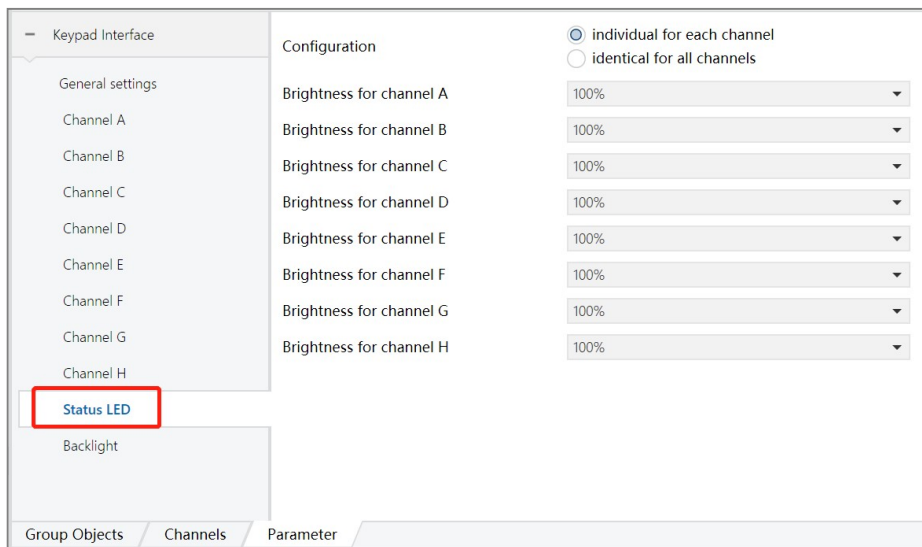
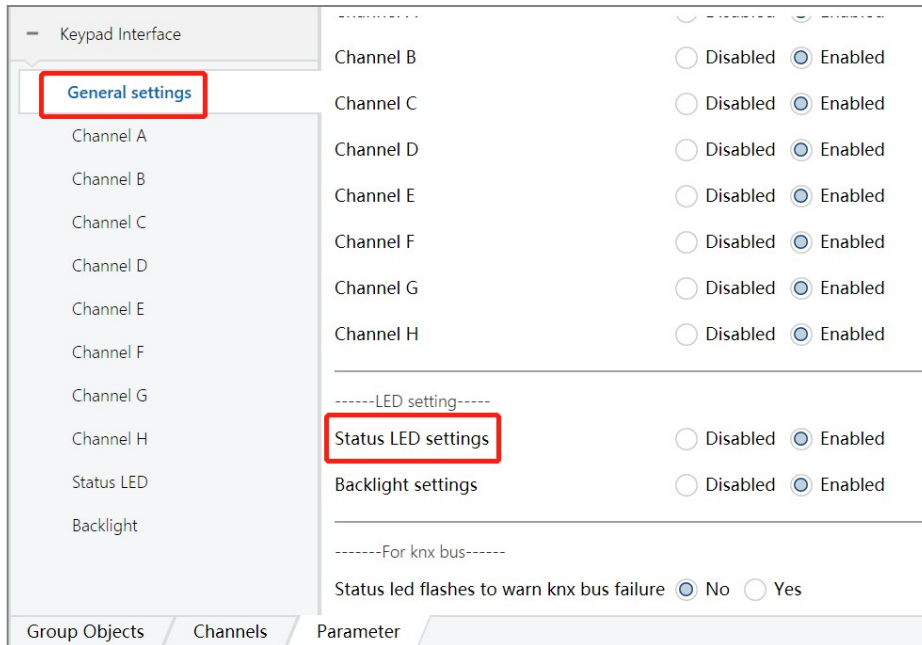
6.1.7 选择 “Value Send”

Parameter	Description
Value send	Value send;
Data type for value	Value data type, options: 1bit, 1byte; ①When "1bit" is selected, the parameter "Value for sending" is value sending, and the options are: Off, On; ②When "1byte" is selected, the parameter "Value for sending" sending" is the value sending, the options are: 0~255;
Long operation	Long press operation, options are: No, Yes, when "Yes" is selected, ① parameter "Long operation after" is how long to start sending commands after long press, options: 0.5s, 1s...4S; ②Parameter "Data type for long operation" is the type of data sent during long press operation, options: 1bit, 1byte; when "1bit" is selected, the parameter "Value for sending" is value sending, options are: Off, On; When "1byte" is selected, the parameter "Value for sending" is value sending, and the options are: 0~255;
Debounce time	Debounce time, option:10ms、 20ms.....300ms
Triggering of status LED	<p>LED indicator activation mode, options:</p> <p>(1) always on; (2) always off; (3) always flashes; (4) press =ON/release=OFF; (5) press =OFF/release=ON; (6) press =flashes/release=OFF; (7) press =flashes/release=ON; (8) Flashes three times, then OFF; (9) Flashes three times, then ON; (10) ON when sending object>=1; OFF when 0; (11) OFF when sending object>=1; ON when 0; (12) flashes when sending object>=1; OFF when 0; (13) OFF when sending object>=1; flashes when 0; (14) ON when feedback object=1; OFF when 0; (15) OFF when feedback object=1; ON when 0; (16) flashes when feedback object=1; OFF when 0;</p>

	(17) OFF when feedback object=1; flashes when 0; (18) ON when scene object=number/OFF when no equal;
Interlock group for LED	Lamp interlock function. Options: none, group 1, group 2, group 3, group 4;

6.1.8 "Status LED"

(1) Parameter "status LED settings" indicates the setting of status indicator, options: Disabled, Enabled;
When "Enabled" is selected, the "Status LED" option appears in the red box as shown below



Parameter: "configuration " indicates setting for LED brightness, options: Individual for each channel; Identical for all channels.

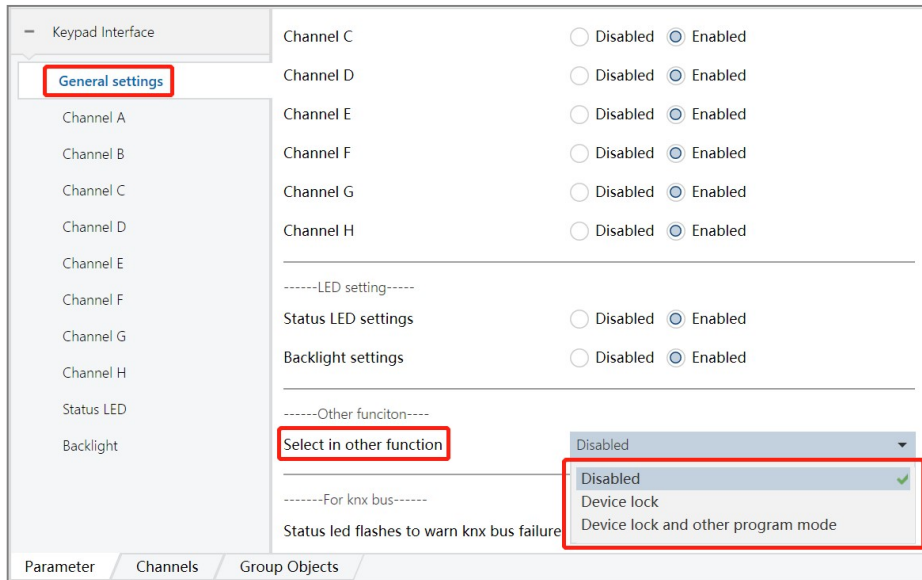
When "Individual for each channel" is selected, parameter will appear: Brightness for channel A, Brightness for channel B.....Brightness for channel H; These parameters can be used to set the LED brightness value of each channel, options: 0%, 1%.....100%.

When "Identical for all channels" is selected, parameter will appear: Brightness for all channel; options: 0%, 1%.....100%. Parameter: Overwrite brightness via object for all channel; options: Yes, No.

6.1.9 "Backlight "

The parameter "Backlight settings" indicates the brightness setting of the backlight. (this parameter does not work at the moment)

6.1.10 "Other function"

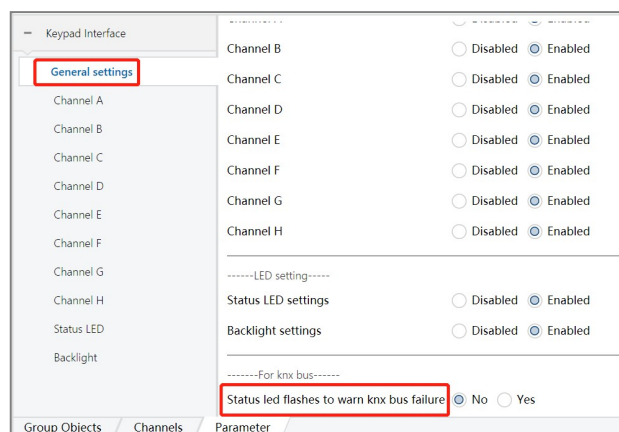


The parameter "Select in other function" means to select other functions, available for selection: Disabled, Device lock, Device lock and other program mode.

Press and hold two buttons at the same time for 5s to turn on/off this function (it is recommended to press and hold two buttons on two different button sheets at the same time when operating), after it is turned on, the panel enters the programming mode, and the button light keeps flashing, press the two buttons again Press the key for 5s to exit the programming mode)

Parameter	Description
Device lock	(This parameter does not work temporarily, the default is 5s to enter the programming mode)
Device lock and other program mode	(This parameter does not work temporarily, the default is 5s to enter the programming mode)

6.1.11 " For KNX bus"



The parameter "Status led flashes to warn knx bus failure" indicates that the status LED flashes to warn of KNX bus failure. (this parameter does not work at the moment)

6.2 Communication object description

The communication object is the medium for the device to communicate with other devices on the bus, that is, only the communication object can perform bus communication. The role of each communication object is described in detail below.

Note: in the column of table properties, "C" represents the communication function enable of the communication object, "W" represents the value of the communication object can be rewritten through the bus, "R" represents the value of the communication object can be read through the bus, "T" represents the communication object has the transmission function, and "U" represents the value of the communication object can be updated.

6.2.1 "switch" mode

There are 8 objects in the "switch" mode, as shown in Figure 6.2.1. The specific functions are shown in Table 1.1.

Number	Name	Object Function	Description	Group Addr	Length	C	R	W	T	U	Data Type	Priority
0	Switch, Channel A	On / Off			1 bit	C	R	W	T	-	switch	Low
9	Switch, Channel B	On / Off			1 bit	C	R	W	T	-	switch	Low
18	Switch, Channel C	On / Off			1 bit	C	R	W	T	-	switch	Low
27	Switch, Channel D	On / Off			1 bit	C	R	W	T	-	switch	Low
36	Switch, Channel E	On / Off			1 bit	C	R	W	T	-	switch	Low
45	Switch, Channel F	On / Off			1 bit	C	R	W	T	-	switch	Low
54	Switch, Channel G	On / Off			1 bit	C	R	W	T	-	switch	Low
63	Switch, Channel H	On / Off			1 bit	C	R	W	T	-	switch	Low

Figure 6.2.1

Number	Name	Data type	Attribute
0,9,18,27,36,45,54,63	Switch, Channel X	1 bit	C,R,W,T

This communication object is enabled when the parameter "Function mode" selects "switch". This communication object is used to control the operation of the lighting switch and send ON ("1") / OFF ("0") messages.

Table 1.1

6.2.2 "blind" mode

There are 16 objects in the "blind" mode, as shown in Figure 6.2.2. The specific functions are shown in Table 1.2.

Number	Name	Object Function	Description	Group Addr	Length	C	R	W	T	U	Data Type	Priority
1	Blind, Channel A	Up / Down			1 bit	C	R	W	T	-	up/down	Low
2	Blind, Long, Channel A	Up / Down			1 bit	C	R	W	T	-	up/down	Low
10	Blind, Channel B	Up / Down			1 bit	C	R	W	T	-	up/down	Low
11	Blind, Long, Channel B	Up / Down			1 bit	C	R	W	T	-	up/down	Low
19	Blind, Channel C	Up / Down			1 bit	C	R	W	T	-	up/down	Low
20	Blind, Long, Channel C	Up / Down			1 bit	C	R	W	T	-	up/down	Low
28	Blind, Channel D	Up / Down			1 bit	C	R	W	T	-	up/down	Low
29	Blind, Long, Channel D	Up / Down			1 bit	C	R	W	T	-	up/down	Low
37	Blind, Channel E	Up / Down			1 bit	C	R	W	T	-	up/down	Low
38	Blind, Long, Channel E	Up / Down			1 bit	C	R	W	T	-	up/down	Low
46	Blind, Channel F	Up / Down			1 bit	C	R	W	T	-	up/down	Low
47	Blind, Long, Channel F	Up / Down			1 bit	C	R	W	T	-	up/down	Low
55	Blind, Channel G	Up / Down			1 bit	C	R	W	T	-	up/down	Low
56	Blind, Long, Channel G	Up / Down			1 bit	C	R	W	T	-	up/down	Low
64	Blind, Channel H	Up / Down			1 bit	C	R	W	T	-	up/down	Low
65	Blind, Long, Channel H	Up / Down			1 bit	C	R	W	T	-	up/down	Low

Table 6.2.2

Number	Name	Data type	Attribute
1,10,19,28,37,46,55,64	Blind, Channel X	1 bit	C,R,W,T
This communication object is enabled when the parameter "Function mode" selects "blind". This communication object is used to control the curtain up / down operation, sending up ("0") / down ("1") messages.			
2,11,20,29,38,47,56,65	Blind, Long, Channel X	1 bit	C,R,W,T
This communication object is enabled when the parameter "Function" selects "blind", then the parameter "long operation" appears, and "yes" is selected. This communication object is used for the long-press operation of the corresponding channel button and generally used to control the adjustment of the position of the blinds / curtains. When the communication object sends a "1" message, it jogs down; when it sends a "0" message, it jogs up.			

表 1.2

6.2.3 "blind position" mode

There are 8 objects in the "blind position" mode, as shown in Figure 6.2.3. The specific functions are shown in Table 1.3.

	Number	Name	Object Function	Description	Group Address	Length	C	R	W	T	U	Data Type	Priority
↕	3	Blind value, Channel A	8-bit Value			1 byte	C	R	W	T	-	percentage (0..100%)	Low
↕	12	Blind value, Channel B	8-bit Value			1 byte	C	R	W	T	-	percentage (0..100%)	Low
↕	21	Blind value, Channel C	8-bit Value			1 byte	C	R	W	T	-	percentage (0..100%)	Low
↕	30	Blind value, Channel D	8-bit Value			1 byte	C	R	W	T	-	percentage (0..100%)	Low
↕	39	Blind value, Channel E	8-bit Value			1 byte	C	R	W	T	-	percentage (0..100%)	Low
↕	48	Blind value, Channel F	8-bit Value			1 byte	C	R	W	T	-	percentage (0..100%)	Low
↕	57	Blind value, Channel G	8-bit Value			1 byte	C	R	W	T	-	percentage (0..100%)	Low
↕	66	Blind value, Channel H	8-bit Value			1 byte	C	R	W	T	-	percentage (0..100%)	Low

Figure 6.2.3

Number	Name	Data type	Attribute
3,12,21,30,39,48,57,66	Blind value, Channel X	8 bit	C,R,W,T
This communication object is enabled when "blind position" is selected in the parameter "Function mode". This communication object is used to control the absolute position operation of the curtain, send a preset percentage, and adjust the curtain to the corresponding position.			

Table 1.3

6.2.4 "dimming" mode

There are 16 objects in the "dimming" mode, as shown in Figure 6.2.4. The specific functions are shown in Table 1.4.

Number	Name	Object Function	Description	Group Address	Length	C	R	W	T	U	Data Type	Priority
4	Dimming switch, Channel A	On / Off			1 bit	C	R	W	T	-	switch	Low
5	Dimming level, Channel A	Brighter / Darker			4 bit	C	R	W	T	-	dimming control	Low
13	Dimming switch, Channel B	On / Off			1 bit	C	R	W	T	-	switch	Low
14	Dimming level, Channel B	Brighter / Darker			4 bit	C	R	W	T	-	dimming control	Low
22	Dimming switch, Channel C	On / Off			1 bit	C	R	W	T	-	switch	Low
23	Dimming level, Channel C	Brighter / Darker			4 bit	C	R	W	T	-	dimming control	Low
31	Dimming switch, Channel D	On / Off			1 bit	C	R	W	T	-	switch	Low
32	Dimming level, Channel D	Brighter / Darker			4 bit	C	R	W	T	-	dimming control	Low
40	Dimming switch, Channel E	On / Off			1 bit	C	R	W	T	-	switch	Low
41	Dimming level, Channel E	Brighter / Darker			4 bit	C	R	W	T	-	dimming control	Low
49	Dimming switch, Channel F	On / Off			1 bit	C	R	W	T	-	switch	Low
50	Dimming level, Channel F	Brighter / Darker			4 bit	C	R	W	T	-	dimming control	Low
58	Dimming switch, Channel G	On / Off			1 bit	C	R	W	T	-	switch	Low
59	Dimming level, Channel G	Brighter / Darker			4 bit	C	R	W	T	-	dimming control	Low
67	Dimming switch, Channel H	On / Off			1 bit	C	R	W	T	-	switch	Low
68	Dimming level, Channel H	Brighter / Darker			4 bit	C	R	W	T	-	dimming control	Low

Figure 6.2.4

Number	Name	Data type	Attribute
4,13,22,31,40,49,58,67	Dimming switch, Channel X	1 bit	C,R,W,T
This communication object is enabled when "dimming" is selected in the parameter "Function mode". This communication object is used for short-press operation of the corresponding channel button to send dimming on / off messages.			
5,14,23,41,50,59,68	Dimming level, Channel X	4 bit	C,R,W,T
This communication object is enabled when "dimming" is selected in the parameter "Function mode". This communication object is used for long-press operation of the corresponding channel, and continuously sends relative dimming commands according to the dimming level set by the VD library.			

Table 1.4

6.2.5 "dimming position" mode

There are 8 objects in the "dimming position" mode, as shown in Figure 6.2.5. The specific functions are shown in Table 1.5.

Number	Name	Object Function	Description	Group Address	Length	C	R	W	T	U	Data Type	Priority
6	Dimming value, Channel A	8-bit Value			1 byte	C	R	W	T	-	percentage (0..100%)	Low
15	Dimming value, Channel B	8-bit Value			1 byte	C	R	W	T	-	percentage (0..100%)	Low
24	Dimming value, Channel C	8-bit Value			1 byte	C	R	W	T	-	percentage (0..100%)	Low
33	Dimming value, Channel D	8-bit Value			1 byte	C	R	W	T	-	percentage (0..100%)	Low
42	Dimming value, Channel E	8-bit Value			1 byte	C	R	W	T	-	percentage (0..100%)	Low
51	Dimming value, Channel F	8-bit Value			1 byte	C	R	W	T	-	percentage (0..100%)	Low
60	Dimming value, Channel G	8-bit Value			1 byte	C	R	W	T	-	percentage (0..100%)	Low
69	Dimming value, Channel H	8-bit Value			1 byte	C	R	W	T	-	percentage (0..100%)	Low

Figure 6.2.5

Number	Name	Data type	Attribute
6,15,24,33,42,51,60,69	Dimming value, channel X	8 bit	C,R,W,T
This communication object is enabled when the parameter "Function mode" selects "dimming position". This communication object is used to control the absolute brightness operation of the dimming, send a preset percentage, and adjust the brightness to the corresponding position.			

Table 1.5

6.2.6 "scene" mode

There are 8 objects in the "scene" mode, as shown in Figure 6.2.6. The specific functions are shown in Table 1.6.

	Number	Name	Object Function	Description	Group Address	Length	C	R	W	T	U	Data Type	Priority
■ ↕	7	Scene, Channel A	8-bit Value			1 byte	C	R	W	T	-	scene control	Low
■ ↕	16	Scene, Channel B	8-bit Value			1 byte	C	R	W	T	-	scene control	Low
■ ↕	25	Scene, Channel C	8-bit Value			1 byte	C	R	W	T	-	scene control	Low
■ ↕	34	Scene, Channel D	8-bit Value			1 byte	C	R	W	T	-	scene control	Low
■ ↕	43	Scene, Channel E	8-bit Value			1 byte	C	R	W	T	-	scene control	Low
■ ↕	52	Scene, Channel F	8-bit Value			1 byte	C	R	W	T	-	scene control	Low
■ ↕	61	Scene, Channel G	8-bit Value			1 byte	C	R	W	T	-	scene control	Low
■ ↕	70	Scene, Channel H	8-bit Value			1 byte	C	R	W	T	-	scene control	Low

Figure 6.2.6

Number	Name	Data type	Attribute
7,16,25,34,43,52,61,70	Scene, channel X	1 Byte	C,R,W,T
This communication object is enabled when the parameter "Function" selects "scene". This communication object is used to send scene control messages.			

Table 1.6

6.2.7 Value send mode

There are 16 objects in the "Value send" mode, as shown in Figure 6.2.6, and the specific functions are shown in Table 1.7

	Number	Name	Object Function	Description	Group Address	Length	C	R	W	T	U	Data Type	Priority
■ ↕	6	Value send, Channel A	1-bit value			1 bit	C	R	W	T	-	switch	Low
■ ↕	7	Value send, Long, Channel A	1-bit Value			1 bit	C	R	W	T	-	switch	Low
■ ↕	15	Value send, Channel B	1-bit Value			1 bit	C	R	W	T	-	switch	Low
■ ↕	16	Value send, Long, Channel B	1-bit Value			1 bit	C	R	W	T	-	switch	Low
■ ↕	24	Value send, Channel C	1-bit Value			1 bit	C	R	W	T	-	switch	Low
■ ↕	25	Value send, Long, Channel C	1-bit Value			1 bit	C	R	W	T	-	switch	Low
■ ↕	33	Value send, Channel D	1-bit Value			1 bit	C	R	W	T	-	switch	Low
■ ↕	34	Value send, Long, Channel D	1-bit Value			1 bit	C	R	W	T	-	switch	Low
■ ↕	42	Value send, Channel E	1-bit Value			1 bit	C	R	W	T	-	switch	Low
■ ↕	43	Value send, Long, Channel E	1-bit Value			1 bit	C	R	W	T	-	switch	Low
■ ↕	51	Value send, Channel F	1-bit Value			1 bit	C	R	W	T	-	switch	Low
■ ↕	52	Value send, Long, Channel F	1-bit Value			1 bit	C	R	W	T	-	switch	Low
■ ↕	60	Value send, Channel G	1-bit Value			1 bit	C	R	W	T	-	switch	Low
■ ↕	61	Value send, Long, Channel G	1-bit Value			1 bit	C	R	W	T	-	switch	Low
■ ↕	69	Value send, Channel H	1-bit Value			1 bit	C	R	W	T	-	switch	Low
■ ↕	70	Value send, Long, Channel H	1-bit Value			1 bit	C	R	W	T	-	switch	Low

Pic 6.2.7

Number	Name	Data type	Attribute
6,15,24,33,42,51,60,69	Value send,Channel X	1 bit	C,R,W,T
In Channel X (X=A~H), when "Value send" is selected for the parameter "Function mode" and "Yes" is selected for the parameter "Value for sending", this communication object is used to send channel on/off telegrams to the bus to control on/off.			
7,16,25,34,43,52,61,70	Value send. Lona. Channel X	1 bit	C,R,W,T

In Channel X (X=A~H), when "Value send" is selected for the parameter "Function mode" and "Yes" is selected for the parameter "Value for sending", this communication object is used to send channel on/off telegrams to the bus to control on/off.

表 1.7

6.2.8 Feedback object function

There are 8 objects in the feedback-object control LED indicator function, as shown in Figure 6.2.8, the specific functions are shown in Table 1.8

Number	Name ^	Object Function	Description	Group Address	Length	C	R	W	T	U	Data Type	Priority
8	Status feedback, Channel A	On / Off			1 bit	C	-	W	T	U	switch	Low
17	Status feedback, Channel B	On / Off			1 bit	C	-	W	T	U	switch	Low
26	Status feedback, Channel C	On / Off			1 bit	C	-	W	T	U	switch	Low
35	Status feedback, Channel D	On / Off			1 bit	C	-	W	T	U	switch	Low
44	Status feedback, Channel E	On / Off			1 bit	C	-	W	T	U	switch	Low
53	Status feedback, Channel F	On / Off			1 bit	C	-	W	T	U	switch	Low
62	Status feedback, Channel G	On / Off			1 bit	C	-	W	T	U	switch	Low
71	Status feedback, Channel H	On / Off			1 bit	C	-	W	T	U	switch	Low

Figure 6.2.8

Number	Name	Data type	Attribute
8,17,26,35,44,53,62,71	Status feedback, Channel X	1 Bit	C,R,W,T
<p>This communication object is enabled when the parameter "triggering of status LED" selects "ON when feedback object=1; OFF when 0" or "OFF when feedback object=1; ON when 0" or "flashes when feedback object=1; OFF when 0" or "OFF when feedback object=1; flashes when 0" , object is used to bind the feedback object and use the received feedback status to control the status of the LED indicator.</p>			

Table 1.8

6.2.9 Status light brightness function

There is one object through the object rewriting status light function, as shown in Figure 6.2.9, the specific function is shown in Table 1.9

Number	Name ^	Object Function	Description	Group Address	Length	C	R	W	T	U	Data Type	Priority
72	Overwrite brightness, Statu...	8-bit Value			1 byte	C	R	W	T	-	percentage (0..100%)	Low

Figure 6.2.9

Number	Name	Data type	Attribute
72	Overwrite brightness, Status LED	1byte	C,R,W,T
<p>This communication object is enabled when the parameter "Overwrite brightness via object for all channel" is set to "Yes". This object is used to rewrite the status light brightness.</p>			

Table 1.9

6.2.10 Backlight brightness function

There is one object for rewriting the backlight function through objects, as shown in Figure 6.2.10, and the specific functions are shown in Table 1.10 (this parameter does not work temporarily)

Number	Name	Object Function	Description	Group Address	Length	C	R	W	T	U	Data Type	Priority
74	Overwrite brightness, Waki...	8-bit Value			1 byte	C	R	W	T	-	percentage (0..100%)	Low
75	Overwrite brightness, Sleep...	8-bit Value			1 byte	C	R	W	T	-	percentage (0..100%)	Low
76	Input-triggering, Waking B...	1-bit Value			1 bit	C	R	W	T	-	switch	Low
77	Triggering output, Waking...	1-bit Value			1 bit	C	R	W	T	-	switch	Low
78	Master output, Control oth...	On / Off			1 bit	C	R	W	T	-	switch	Low
79	Input from master, Control...	On / Off			1 bit	C	R	W	T	-	switch	Low

Figure 6.2.10

Number	Name	Data type	Attribute
73	Overwrite brightness, Backlight	1byte	C,R,W,T
This communication object is enabled when the parameter "Overwrite backlight brightness via object" is set to "Yes". This object is used to rewrite the backlight brightness.			
74	Overwrite brightness, Waking backlight	1byte	C,R,W,T
This communication object is enabled when the parameter "Overwrite waking backlight via object" is set to "Yes". This object is used to rewrite the brightness of the backlight that is awakened.			
75	Overwrite brightness, Sleeping backlight	1byte	C,R,W,T
This communication object is enabled when the parameter "Overwrite waking backlight via object" is set to "Yes". This object is used to overwrite the backlight brightness during sleep (after the delay expires)			
76	Input-triggering, waking backlight	1bit	C,R,W,T
This communication object is enabled when the parameter "Waking up backlight via object" selects "Yes". This object is used to wake up the backlight function.			
77	Triggering output, Waking Backlight	1bit	C,R,W,T
This communication object is enabled when the parameter "Output-triggering single for waking backlight" selects "Yes". This object is used to output the start signal to wake up the backlight function.			
78	Master output, Control other' s backlight	1bit	C,R,W,T
This communication object is enabled when the parameter "Master output for controlling other' s backlight" selects "Yes" . This object is used to control the backlight function of the slave panel.			
79	Input from master, Control own backlight	1bit	C,R,W,T
This communication object is enabled when the parameter "Delay time after waking backlight" selects "delay according to master device". This object is used to switch the backlight function of the slave panel according to the switch signal sent from the master device.			

Table 1.10

6.2.11 Device lock function

The control device lock function has 1 objects, as shown in Figure 6.2.11, the specific function is shown in Table 1.11

Number	Name	Object Function	Description	Group Address	Length	C	R	W	T	U	Data Type	Priority
80	Input, Device lock control	Unlocking / Locking			1 bit	C	R	W	T	-	switch	Low

图 6.2.11

Number	Name	Data type	Attribute
80	Input, Device lock control	1bit	C,R,W,T
This communication object is enabled when "Device lock" or "Device lock and other program mode" is selected in the parameter "Select in other function", this object is used to disable the operation function of the keys, if this function is enabled, the operation function of the panel keys will be invalidated.			
81	Output, Status for device lock	1bit	C,R,T
This communication object is enabled when the parameter "Select in other function" selects "Device lock" and the			

parameter "Send status of lock on changes" selects "Yes". This object is used to send the change of the key lock status;

Table 1.11

7 Safe use and maintenance

- (1) Read all instructions carefully before use.
- (2) Create a good ventilation environment.
- (3) During use, pay attention to moisture, shock and dust.
- (4) Strictly forbid to rain, contact with other liquids or corrosive gases.
- (5) If it is wet or attacked by liquid, it should be dried in time.
- (6) When the machine fails, please contact professional maintenance personnel or our company.

8 Contact

Address: 9th Floor, Building 5, Aotelang Science and Technology Park, No. 68, Nanxiang 1st Road, Huangpu District, Guangzhou City, Guangdong Province, China

Tel: +86-20-82189121

Fax: +86-20-82189121

Website: <http://www.seawin-knx.com>